

**Key Features**

- Ideal for outside cabling application
- Armored steel tape for rodent resistance
- Pressure resistance
- Fully water-blocked
- Moisture blocking loose tubes
- Fiber 2 core
- Easy Operation, reliable and cost-effective

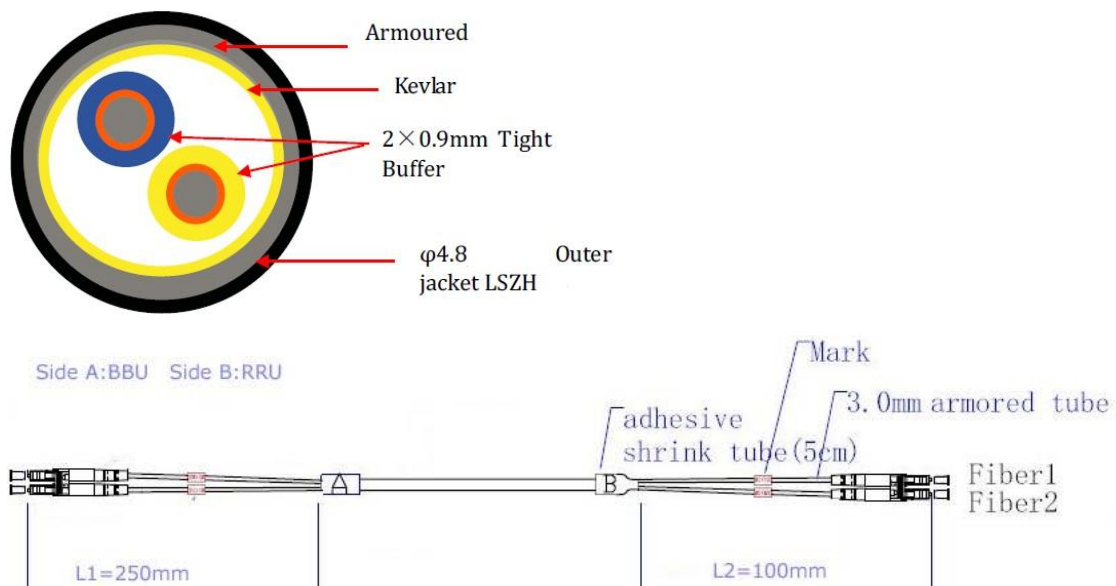
This is armored fiber optic patch cord with 2 fibers, which is designed ideal for CPRI cabling system.




**Applications**

- FTTA & FTTH
- Base station, BTS installation, BBU to RRU
- Indoor/outdoor building cabling
- Harsh environments application
- Long haul networking
- Direct burial and aerial lashing

**Structure**



Item	Specifications
Connector A	Duplex LC/UPC, IEC 61754 standards
Connector B	Duplex LC/UPC, IEC 61754 standards
Cable length	60/100m
Fan out connector length Side A	250mm Armoured Tube
Fan out connector length Side B	100mm Armoured Tube

Protective cover for LC connector	 <p>Rubberized elastic spring cover for connector, rubber cover compatible with RRU device of Huawei or Nokia or Ericsson...</p>
Fiber amount	2 cores
Fiber waterproof	Protection Level IP67 standard
Fiber type	Multi-mode 50/125um standard OM3 or OM4 complies with ITU G.651 and ISO11801 or higher
Wavelength	850nm or 1310nm
Optical Cable Attenuation at 850nm	2.3dB/km
IL/Connector	≤0.3dB
Return Loss/Connector	≥35dB
Operation Temperature Range	-40-70 °C , Withstand outdoor working conditions, good UV resistance, Compliance with IEC 60794-1-2 standard
Tensile strength	≥500N
Mechanical life	≥ 500 cycles
Bending radius	180mm minimum
Crush Resistance	1500 N/100 mm
Outer sheath	LSZH outer layer, Armored cover, kevlar reinforcement
Cable sheath color	Black
Cable OD	4.8mm +/-0.2mm
Fan out	3.0mm armored tube
Label	The cable body specifies the type, parameters, manufacturer, length, etc
Inflamingretarding	IEC 60332-3
Other requirements	USource offers customized requirements

---

**Shenzhen USource Technology Co.,Ltd**

[www.usourcetek.com](http://www.usourcetek.com)

Copyright© USource Technology. All rights reserved.