

Key Features

- Ideal for outside cabling application
- Armored steel tape for rodent resistance
- Pressure resistance
- Fully water-blocked
- Moisture blocking loose tubes
- Fiber 2 core
- Easy Operation, reliable and cost-effective

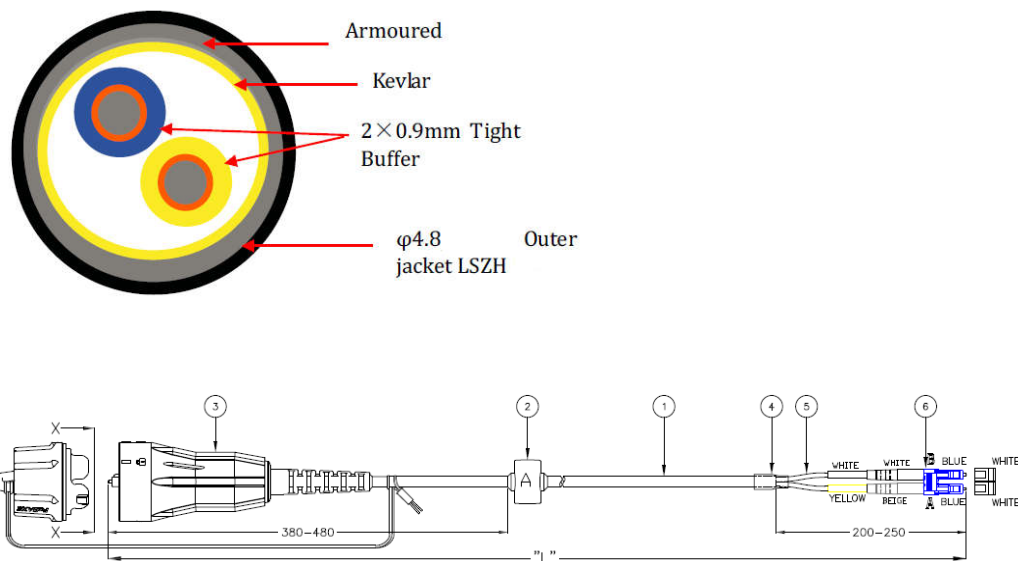
This is armored fiber optic patch cord with 2 fibers, which is designed ideal for CPRI cabling system.



Applications

- FTTA & FTTH
- Base station, BTS installation, BBU to RRU
- Indoor/outdoor building cabling
- Harsh environments application
- Long haul networking
- Direct burial and aerial lashing

Structure



Item	Specifications
Connector A	Fullaxs IP67 for Ericsson RRU
Connector B	Duplex LC/UPC, IEC 61754 standards
Cable length	60/100m
Fan out connector length Side B	300mm Armoured Tube
Fiber amount	2 cores
Fiber waterproof	Protection Level IP67 standard
Fiber type	Single mode 9/125um, 1260 - 1650 nm ITU G.657 A2 / IEC60793-2-50 B6_a2 Coating Diameter 235 - 265 μm

Concentricity Error Core	$\leq 0.5 \mu m$
Concentricity Error Cladding	$\leq 12.0 \mu m$
Optical Cable Attenuation at 1310nm	0.4dB/km
Optical Cable Attenuation at 1550nm	0.25dB/km
Chromatic Dispersion, 1310 nm	$\leq 3.5 ps/nm.km$
Chromatic Dispersion, 1550 nm	$\leq 18 ps/nm.km$
Polarization Mode Dispersion	$\leq 0.2 ps/\sqrt{km}$
Zero Dispersion Wavelength λ_0	1300 - 1324 nm
Zero Dispersion Slope S_0 at λ_0	$\leq 0.092 ps/nm^2.km$
Wavelength	1310nm/1550nm
Optical Cable Attenuation	$\leq 0.35dB/km @1310nm/1550nm$
IL/Connector	$\leq 0.3dB$
Return Loss/Connector	$\geq 50dB$
Bending loss, 1550 nm, R = 7.5 mm, 1 turn	$\leq 0.5 dB$
Bending loss, 1550 nm, R = 10 mm, 1 turn	$\leq 0.1 dB$
Bending loss, 1550 nm, R = 15 mm, 10 turn	$\leq 0.03 dB$
Operation Temperature Range	-40~+ 85 °C , Withstand outdoor working conditions, good UV resistance, Compliance with IEC 60794-1-2 standard
Storage temperature	-40°C ~ +85°C
Tensile strength	$\geq 500N$
Pulling	RRU-End $\geq 5N$, 60s BBU-End $\geq 50N$, 120s (IEC 61300-2-4, 0.5 Meter from Connector)
Compression Force	5 - 7 N (IEC 61300-3-22)
Mechanical life	≥ 500 cycles
Bending radius	180mm minimum
Crush Resistance	3000 N/100 mm
Outer sheath	LSZH outer layer, Armored cover, kevlar reinforcement, All-weather and UV-resistant ISO 4892-3
Water Penetration	Pass, IEC 60794-1-2 F5B
Vertical Flame Spread	Pass, IEC 60332-3-24
Cable sheath color	Black
Cable OD	4.8mm +/-0.2mm
Fan out	3.0mm armored tube
Label	The cable body specifies the type, parameters, manufacturer, length, etc
Inflamingretarding	IEC 60332-3

Other requirements	USource offers customized requirements
Ordering information	
<i>CPRI SM cable 60m</i>	<i>CPRISM-A60ER</i>
<i>CPRI SM cable 100m</i>	<i>CPRISM-A100ER</i>