

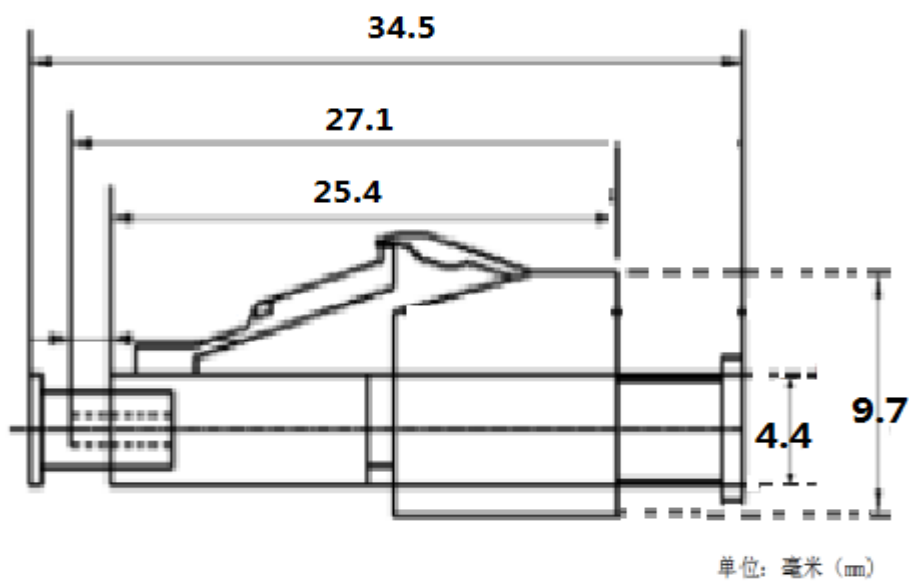
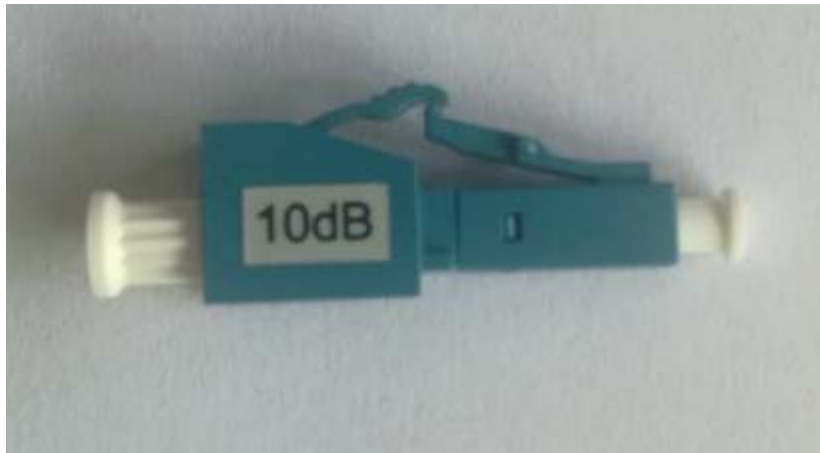
Key Features

- Low insertion loss and back reflection loss
- High precision alignment
- Ceramic sleeve inside
- Compact design
- Conform to EN 50173 and EIA - 50173 - A standard
- RoHS standard

Specifications

No	Content	Requirement	Comply
1	General requirement	There are covers at the top and bottom	YES
2	Connection interface	LC-UPC	YES
3	Optical signal	G.652D	YES
4	Working wave length	1310, 1550	YES
5	Nominal attenuation value	3/5/7 dB	YES
6	Tolerance	+) 3dB ± 0.3dB	YES
		+) 5dB ± 0.7dB	
		+) 7dB ± 0.7dB	
7	Dimension	Width: 6mm ± 0.2mm	YES
		2 attenuators are not bend when installed at 1 SFP module together	
8	Return loss	UPC ≥ 50dB	YES
9	Position of label	There are 3 labels:	YES
		+) 2 labels at 2 sides	
		+) 1 label on the top of the attenuator	
		The labels are printed clearly and paste firmly on the attenuator	
10	Certain level	+) The attenuator can be installed certainly to optical port	YES
10	Temperature working	-10 ⁰ C ÷ 60 ⁰ C	YES
11	Warranty time	≥ 36 months from TAC	YES

Drawing



Part numbers

<i>PN</i>	<i>Description</i>
UAT-LC/UPC-3	3dB Attenuation LC/UPC, male to female
UAT-LC/UPC-5	5dB Attenuation LC/UPC, male to female
UAT-LC/UPC-7	7dB Attenuation LC/UPC, male to female
UAT-LC/UPC-10	10dB Attenuation LC/UPC, male to female

USOURCE reserves the right to make changes to the products or information contained herein without notice. No liability is assumed as a result of their use or application. No rights under any patent accompany the sale of any such products or information.

Published by Shenzhen USource Technology Co., Ltd. Copyright © USource Technology. All Rights Reserved.